

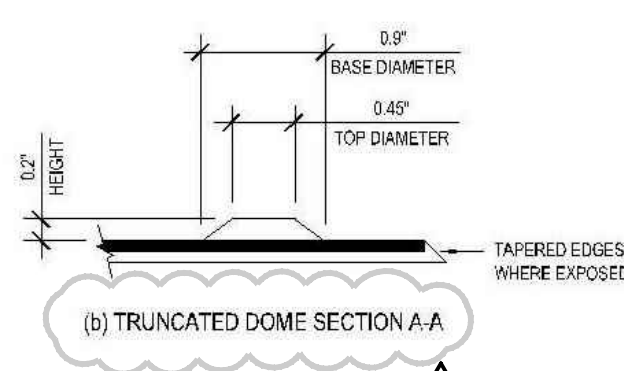
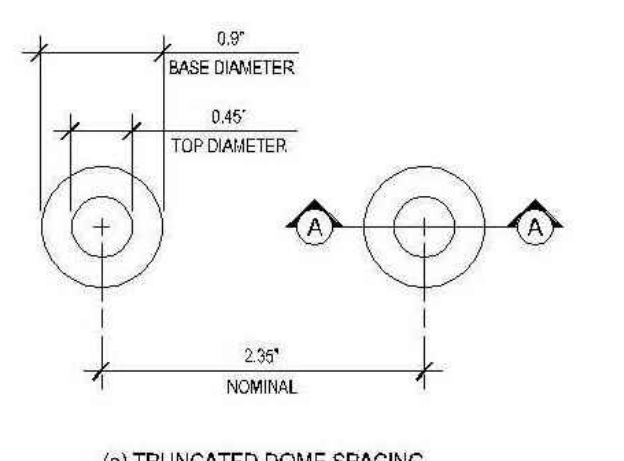
**HANDICAPPED PARKING SIGN INSTALLATION**

**NOTES:**

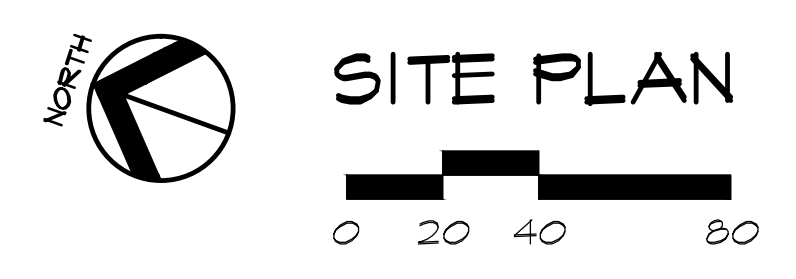
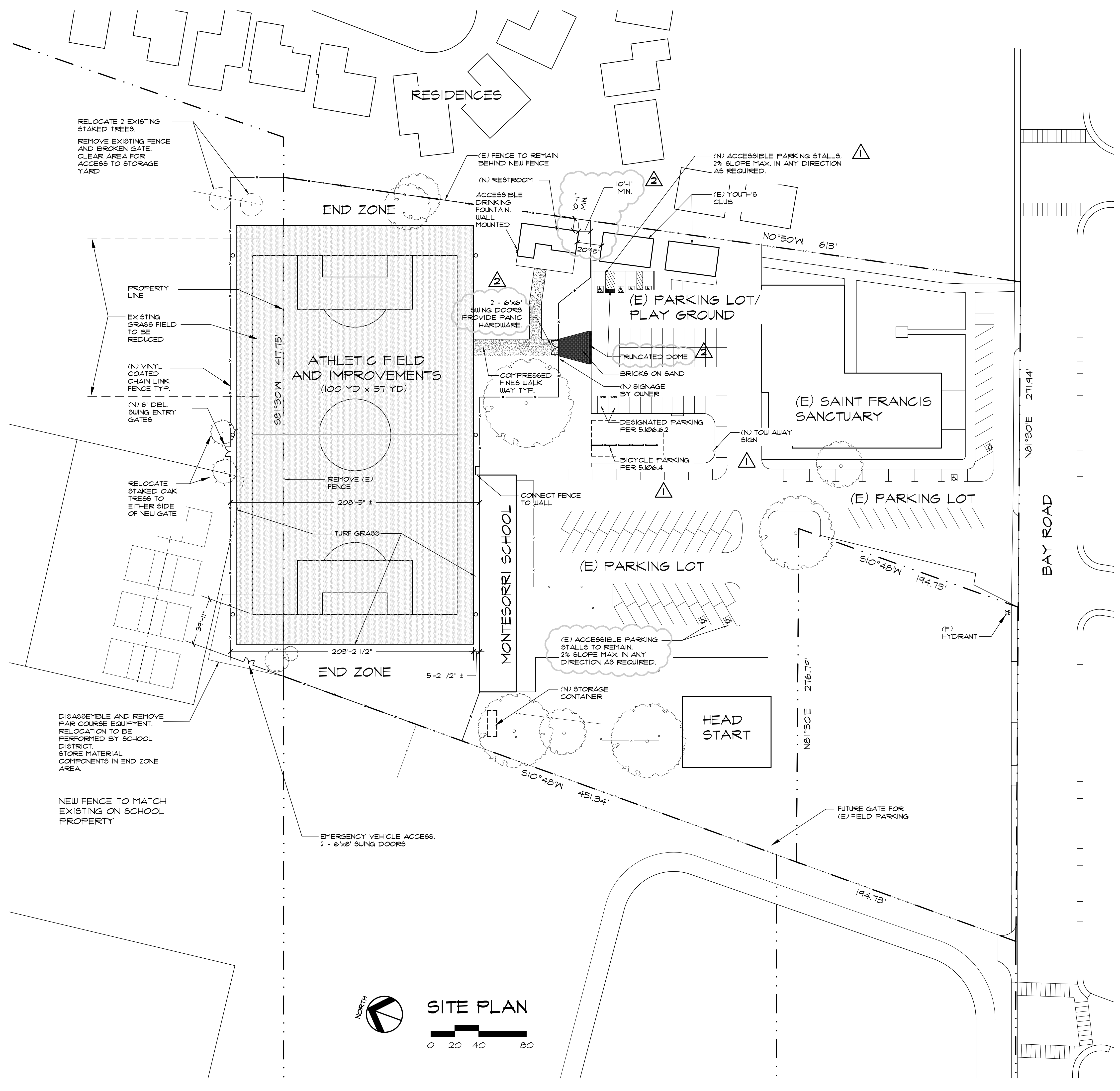
1. Sign location subject to review and approval by Transportation Manager.
2. Provide a reflectorized (R99) sign in front of all handicapped parking spaces.
3. Handicapped parking sign (R99) shall be per Caltrans sign specification sheet.

All units are in metric  
Non metric units in brackets

ACAD FILENAME: HOPARK

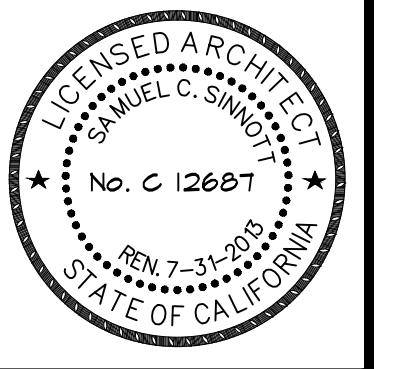


**1 DOUBLE PARKING STALLS**  
SCALE: N.T.S.



**sinnott&co**  
architecture & construction

Samuel Sinnott, AIA  
558A Santa Cruz Avenue Menlo Park, CA 94025  
Ph: (650) 325-5560 Fax: (650) 325-0138  
sam@sinnottandco.com www.sinnottandco.com



**RICH MAY FIELD**

FOR THE RICH MAY FOUNDATION IN CONJUNCTION WITH  
THE RAVENSWOOD CITY SCHOOL DISTRICT  
AT THE SAINT FRANCIS PARISH CHURCH  
1475 BAY ROAD, EAST PALO ALTO, CA

**ENLARGED SITE PLAN**

ISSUE #	DATE
1	12/22/11
2	1/25/12
3	3/29/12
4	4/12/12
2 5	7/1/12
6	
7	
8	
9	
10	

JOB NO. 0603

SCALE: 1"=40'

SHEET NO.

**A.I.O**